



Model: PC3000	October 11, 2013
Serial #: See "Models Impacted" section	
Product Bulletin # Catwalk 32	

## PC3000 Heavy-duty Guard for Safety Curtain Laser Assemblies Upgrade

### Models Impacted

This Product Bulletin applies to the Canrig Automated Catwalk PC3000 series with serial numbers PC300001 through PC300384.

### Issue

When the catwalk ramp is used as a traditional V-door for raising and lowering equipment to and from the rig floor, mishandled heavyweight items may impact the existing laser curtain guards and damage the laser transmitter. Canrig has developed a heavier-duty guard and larger mounting hardware to better protect the safety curtain laser assemblies from damage.

### Recommendation

Canrig PC3000 Heavy-duty Guard for Safety Curtain Laser Assemblies Upgrade Kit No. AY51082 is available with the necessary guards, hardware, drill bit, and tap to perform the modification. Contact RigLine 24/7™ Support to order the kit and arrange installation.

### Parts List

**Table 1: Parts List Canrig Kit No. AY51082**

Item	Qty	U/M	Canrig Part No.	Description
1	2	EA	DT51016	GUARD, LASER, SAFETY CURTAIN, PC3000
2	8	EA	LW-0375-NL-SP	LOCKWASHER, 3/8-SP, NORD-LOCK
3	8	EA	SH-0375NC-0100	CAPSCREW, HEX SOC HD, 3/8-18 UNC x 1.00
R01	1	EA	EP-1000173	LOCTITE® THREADLOCKER BLUE 242®
R02	1	EA	M10348	DRILL BIT, 5/16
R03	1	EA	M10349	TAP, 3/8-16 UNC-2B

## Installation

The upgrade involves enlarging the existing tapped mounting holes to install the new guards.

1. Before beginning the installation, disconnect catwalk electrical power and follow local lockout/tagout procedures.
2. Remove the two existing safety curtain laser guards on the ramp end.
3. Match drill and tap the existing 1/4-20 UNC-2B hole patterns to 3/8-16 UNC-2B on the two ramp ends (Figure 1).

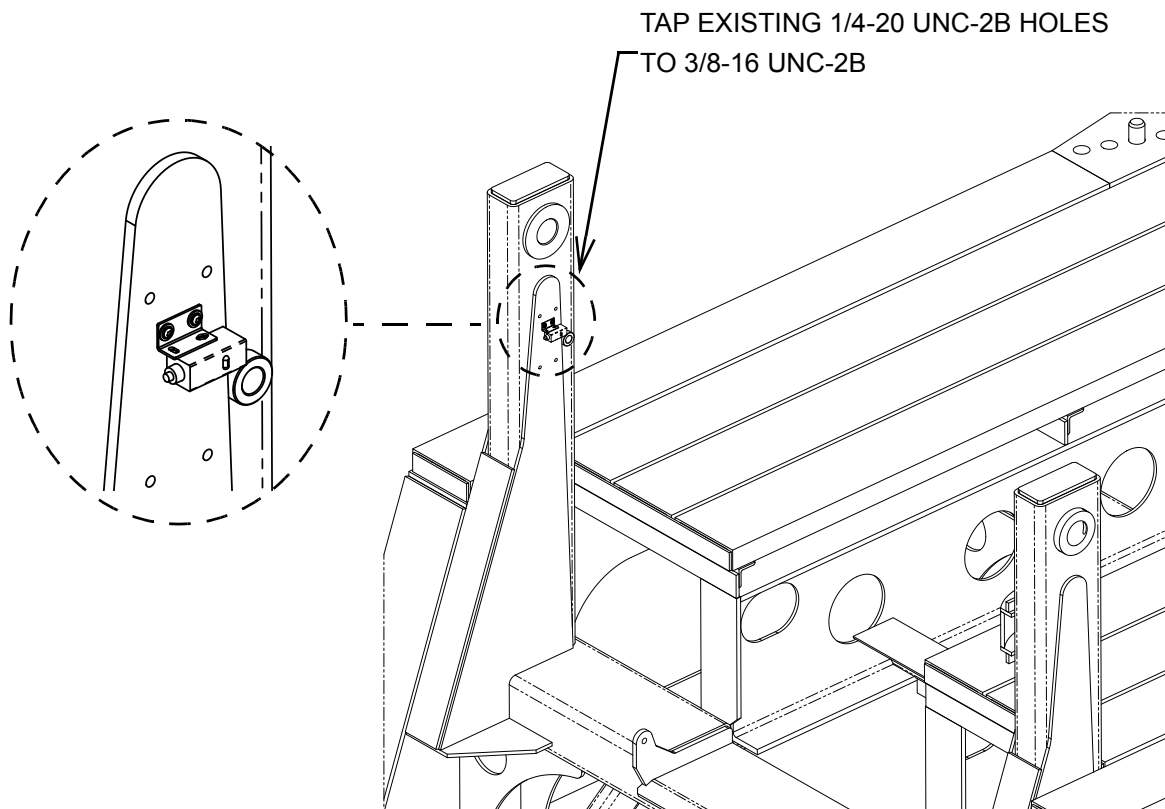


Figure 1: Ramp End Upright Post Before Upgrade

4. Ensure the sensors are aligned, and install the safety curtain laser guard using the provided hardware and thread locking compound (Figure 2).

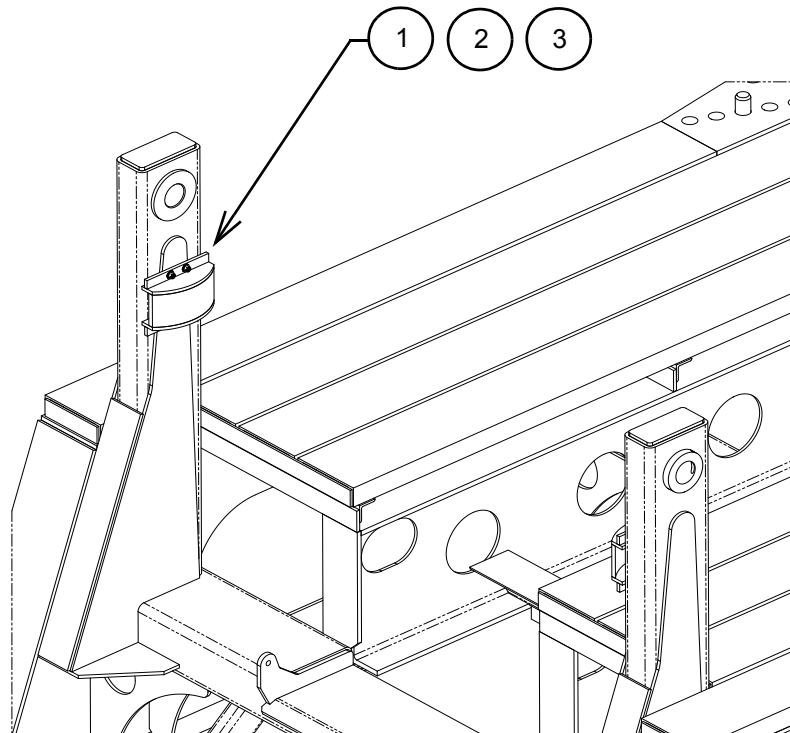


Figure 2: New Heavy-duty Guard Installed

5. Follow local procedures for removal of lockout/tagout status.