



Model: See "Affected Units"	Aug. 1, 2018
Serial #: All	
Product Bulletin # TDS-185	

Safety Securement for Mast Services J-Box Door

The Mast Services J-Box door can become a snag point if the door is not secured properly. Canrig recommends adding safety securement to the J-Box door to mitigate a possible dropped object hazard and subsequent risk to personnel or damage to equipment.

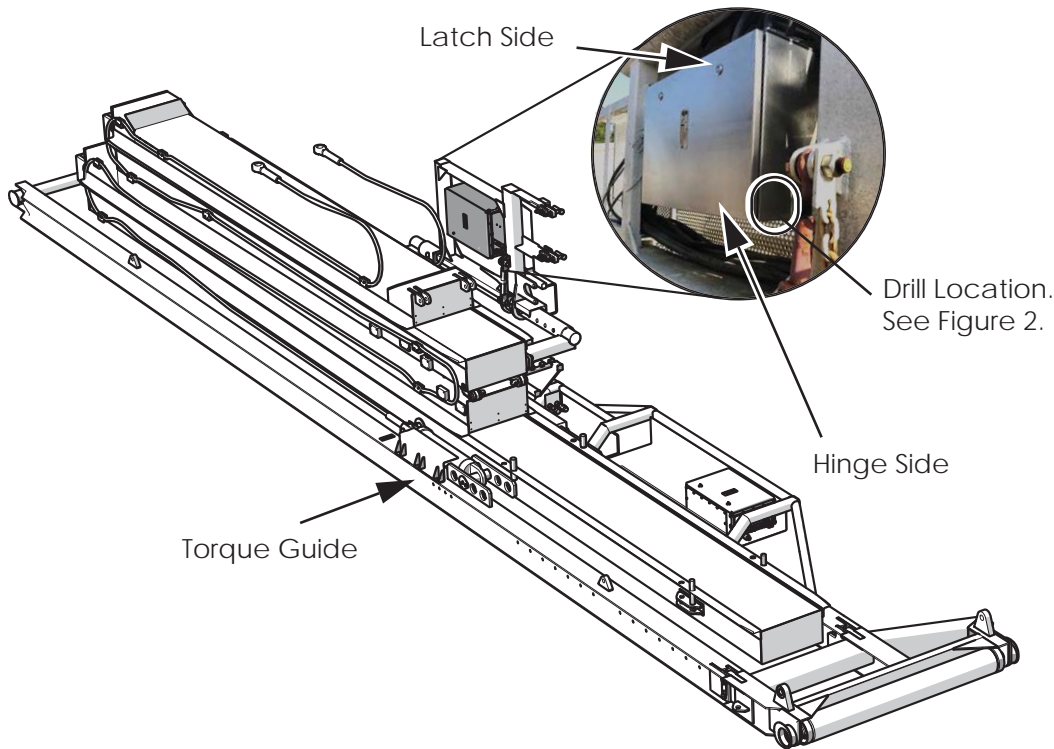


Figure 1: Portable Torque Guide (shipping configuration) with Mast Services J-Box Indicated

Table 1: J-Box Door Safety Securement Parts List

P/N	Qty	Unit	Description
M10022	2	Feet	Wire Rope, 1/8, 7 x 19, Stainless
M19-3009-010	2	Each	Ferrule, 1/8, Oval, Aluminum

Affected Units

All top drives with the Mast Services J-Box located on the service support frame of the portable torque guide.



Model: See "Affected Units"

Serial #: All

Aug. 1, 2018

Recommendation

- Inspect the Mast Services J-Boxes at least once a week while in service.
 - Visually check mounts for loose fasteners and cracked welds.
 - Check the door for loose fits, cracks, and other damage to hinges and latches.
 - Verify J-Box door latches are functional and properly secures the door.
- After performing maintenance and repair operations on the J-Boxes, perform an inspection including mounts, the door, and door latches as listed above.
- Check J-Box doors for adequate safety securement. If additional safety securement is needed, follow the procedure below.
- Contact RIGLINE 24/7™ Support to order the parts required for safety securement. See Table 1 on page 1.

Procedure

1. Locate the drilled hole location on the J-Box door. Drill two ¼" holes into the door as shown below in Figure 2.



Caution!

Care should be taken to ensure the gasket and enclosure are not damaged while drilling

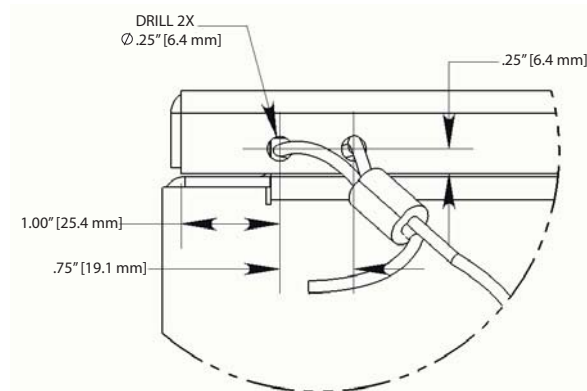


Figure 2: Hole Location on Underside of J-Box Door

2. Loop one end of the 1/8" wire rope (P/N: M10022) through the two drilled holes.
3. Pull the wire rope tight and attach the 1/8" ferrule (P/N: M19-3009-010).
4. Ensure the wire rope does not interfere with the gasket when closing the door. See Figure 3.

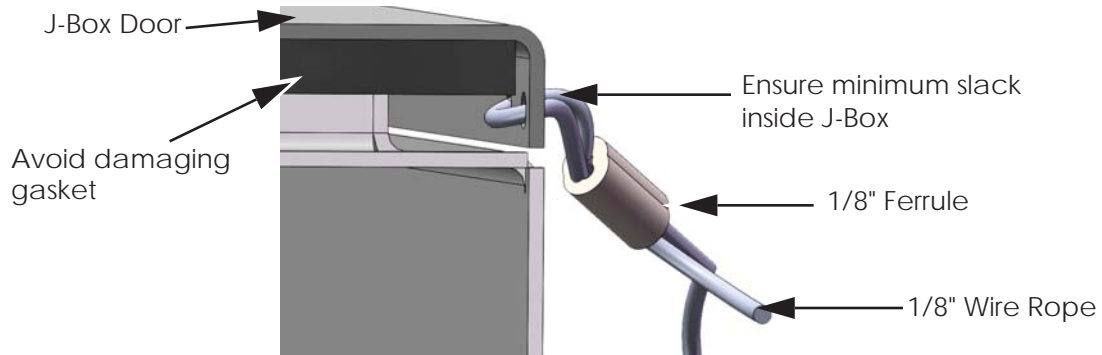


Figure 3: Section View of J-Box Door on Torque Guide

5. Attach the other end of the 1/8" wire rope to the torque guide service support frame (SSF) as shown in Figure 4.
6. Ensure minimum slack required to open and close the door before securing the other 1/8" ferrule (P/N: M19-3009-010).

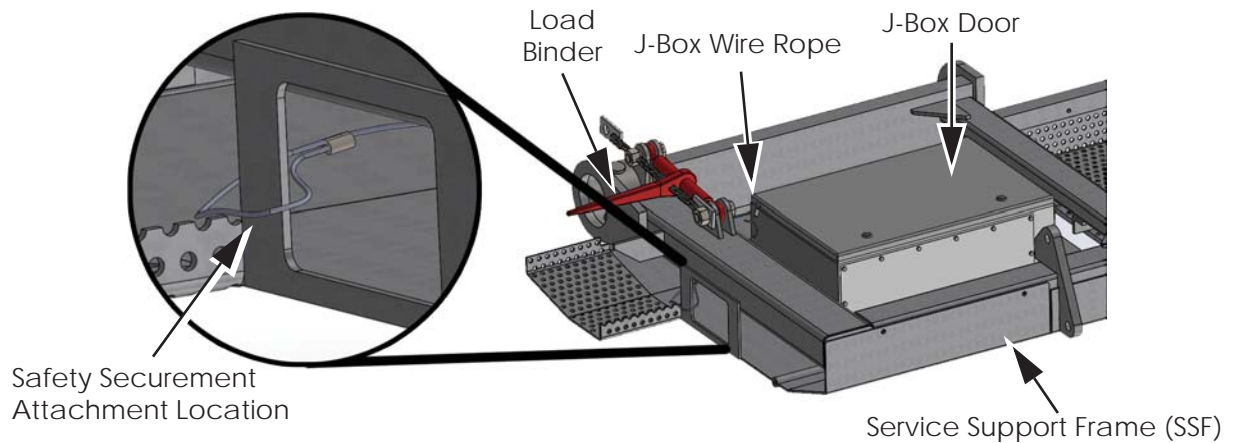


Figure 4: Service Support Frame Wire Attachment Location