



Model: See Affected Top Drives

Oct. 25, 2019

Serial #: NA

Product Bulletin # TDS-206 v 1.0

Alert



## Back-Up Wrench (BUW) Gripper Inspection

### Issue

The spring rod attached to the stop plate on the Back-Up Wrench (BUW) Gripper can become detached and fall if the weld between the spring rod and stop plate fails.

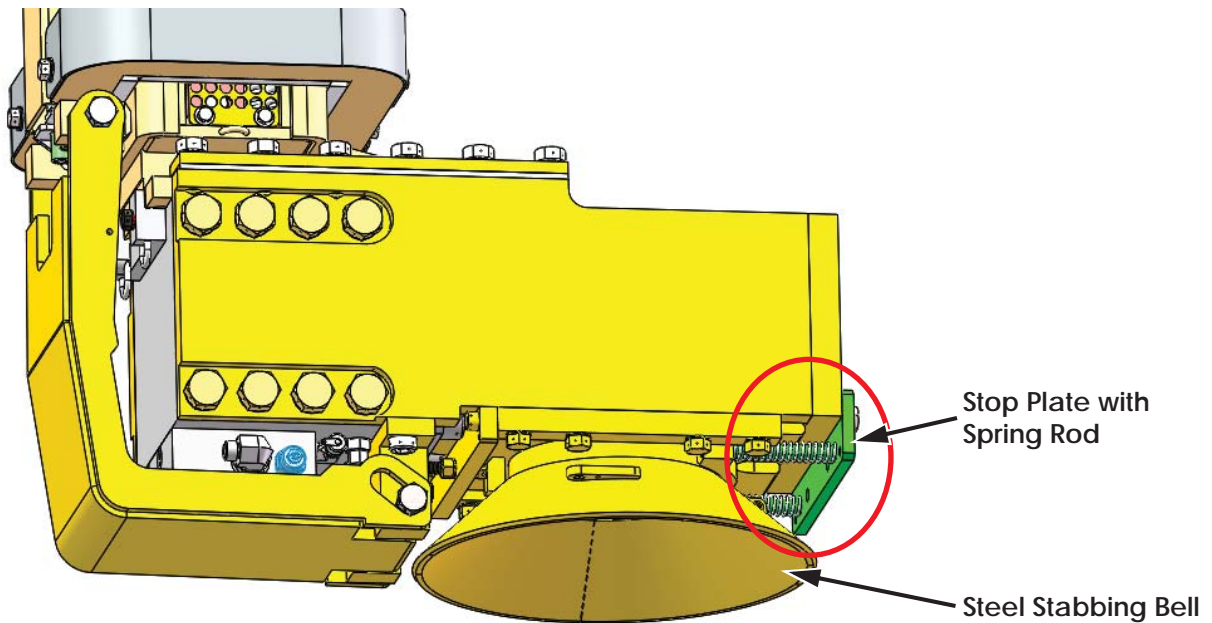


Figure 1: Back-Up Wrench (BUW) Gripper

### Affected Top Drives

All top drives that utilize a steel stabbing bell positioned by front compression springs, see Figure 2 on page 2.



Model: See Affected Top Drives	Oct. 25, 2019
Serial #: NA	
Alert	

## Recommended Action

- Visually inspect the weld between the spring rod and stop plate for any cracks or damage.
- Ensure the spring rod is attached to the stop plate as shown in Figure 2 below. If the spring rod or welds are damaged, then contact RIGLINE 24/7™ Support to replace the back-up wrench gripper stop plate.
- Ensure all the fasteners on the BUW gripper are torqued and secured properly with secondary retention and safety securement. Refer to the section 4A of the top drive manual for fasteners torque specification.

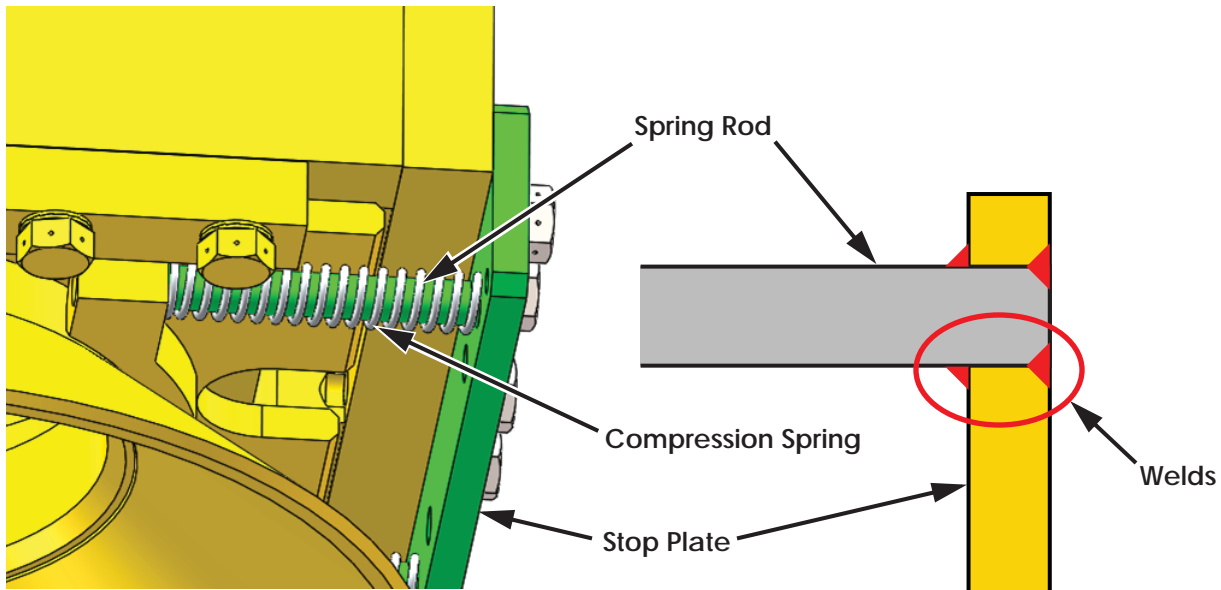


Figure 2: Spring Rod Stop Plate Weldment