



Model: PC4000

Serial #: See Affected Units

Aug. 4, 2022

Product Bulletin # PC-053 Rev 1

PC4000 Pipe Rack Rating

This document clarifies the pipe rack load capacity for loading tubulars for the Automated Power Catwalk model 4000 with reinforced pipe racks.

CAUTION Do not exceed working load limit.

The pipe rack design has been re-evaluated, each pipe rack has a working load rating of 20,000 lb (9,072 kg) when the tubulars are properly accommodated, and pipe rack is operated according to the product manual.

- Total catwalk pipe rack capacity utilizing all six pipe racks is 120,000 lb (54,431 kg).

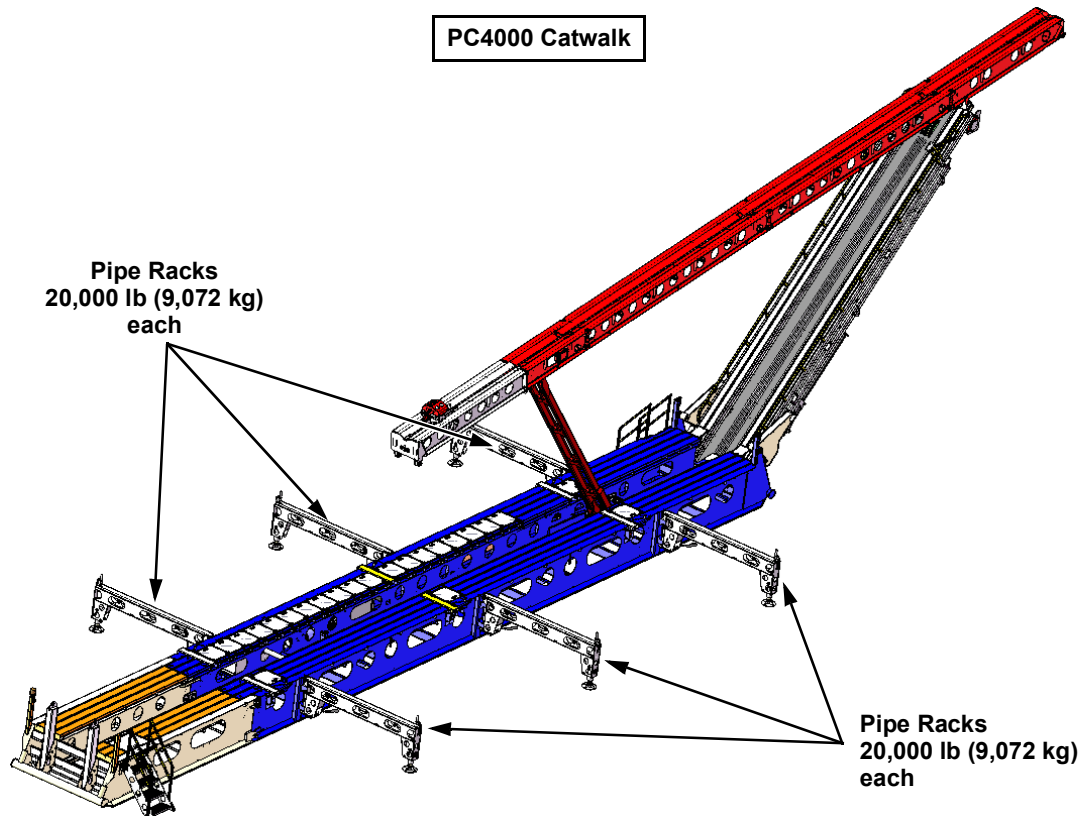


Figure 1: PC4000 pipe racks

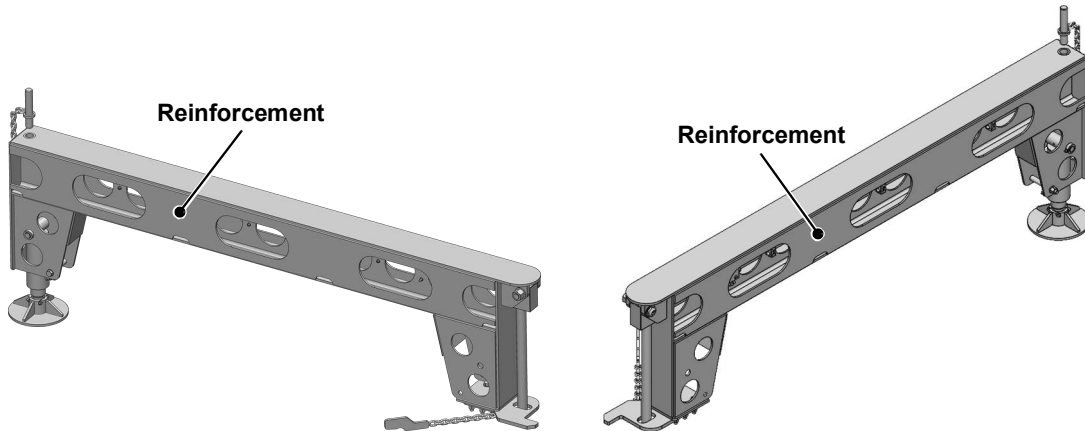


Model: PC4000
Serial #: See Affected Units

Aug. 4, 2022

Affected Units

All PC4000 Catwalks with reinforced pipe racks. See examples in Figure 2.



Reinforced pipe racks rated for 20,000 lb

Pipe racks without reinforcement rated for 5,000 lb.
This bulletin does not apply to these pipe racks.

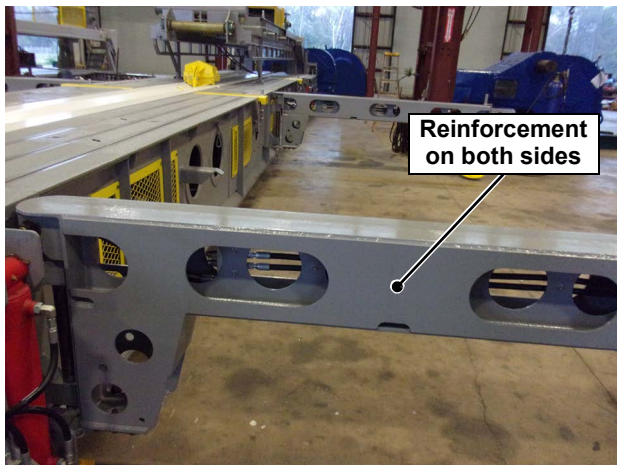


Figure 2: Pipe racks with and without reinforcement

Contact RIGLINE 24/7™ if you need additional information.